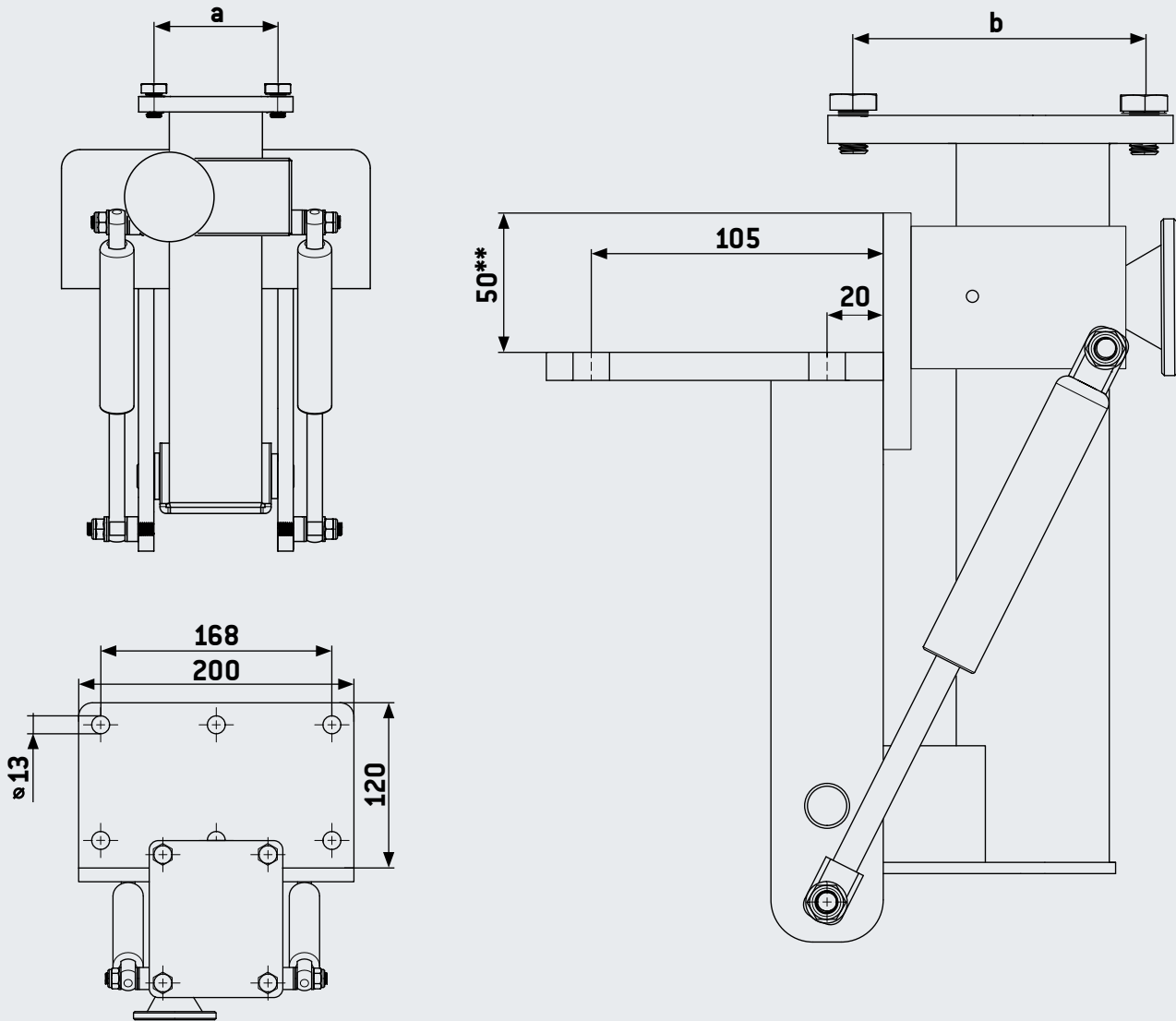


HEUER Collapsible



Technical specifications:

Jaw width* (mm)	a (mm)	b (mm)	Permitted Loading (kg)	Gas shock absorber (N)	Weight (kg)	Item No.
120	76	98	4 – 10	500	11,5	105 120
140	96	120	10 – 16	900	11,9	105 140

BROCKHAUS **HEUER**
GmbH

Oestertalstraße 54
D-58840 Plettenberg (Germany)
Phone: +49(0)23 91 - 60 29-0
Fax: +49(0)23 91 - 60 29-29

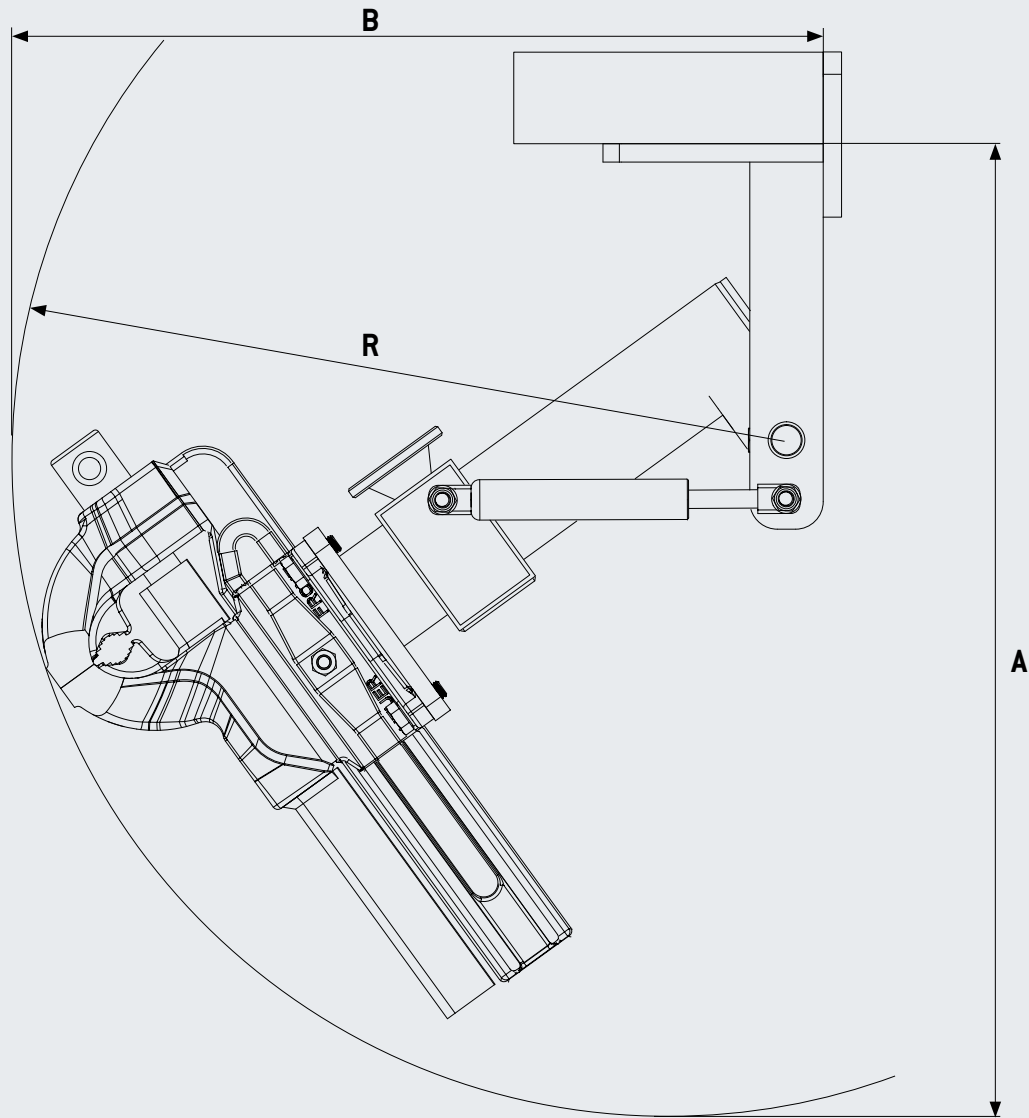
info@heuer.de

* Details apply to HEUER vices. Also suitable for other makes provided that permitted loading weights are observed. When ordering please do not forget details of make and size.

** Adapter plate for 40 mm workbench top (art. no. 702727) available from www.schraubstockshop.de

Subject to technical modification

HEUER Collapsible



Technical specifications:

Jaw width* (mm)	Lowest depth (A) ¹ (mm)	Folding depth (B) ² (mm)	Swivel radius(R) ³ (mm)
120	590	460	430
140	630	495	470

Jaw width* (mm)	Gas spring force inside (N)	Gas spring force outside (N)
120	100	100
140	100	100

BROCKHAUS] [HEUER
GmbH

Oestertalstraße 54
D-58840 Plettenberg (Germany)
Phone: +49(0)23 91 - 60 29-0
Fax: +49(0)23 91 - 60 29-29

info@heuer.de

* Details apply to HEUER vices. Also suitable for other makes provided that permitted loading weights are observed. When ordering please do not forget details of make and size.

¹ From lower edge of workbench plate

² From front edge of workbench plate

³ Around point of rotation

Subject to technical modification