

# Effortless ERGONOMICS OF MOVEMENT

**BROCKHAUS** **HEUER**  
GmbH

Oestertalstraße 54  
D-58840 Plettenberg (GERMANY)  
Tel.: +49(0)23 91 - 60 29-0  
Fax: +49(0)23 91 - 60 29-29

[info@heuer.de](mailto:info@heuer.de)



Illustrations not colour matched, colour variations possible. Technical alterations subject to change without notice.

# HEUER Rotary-Table

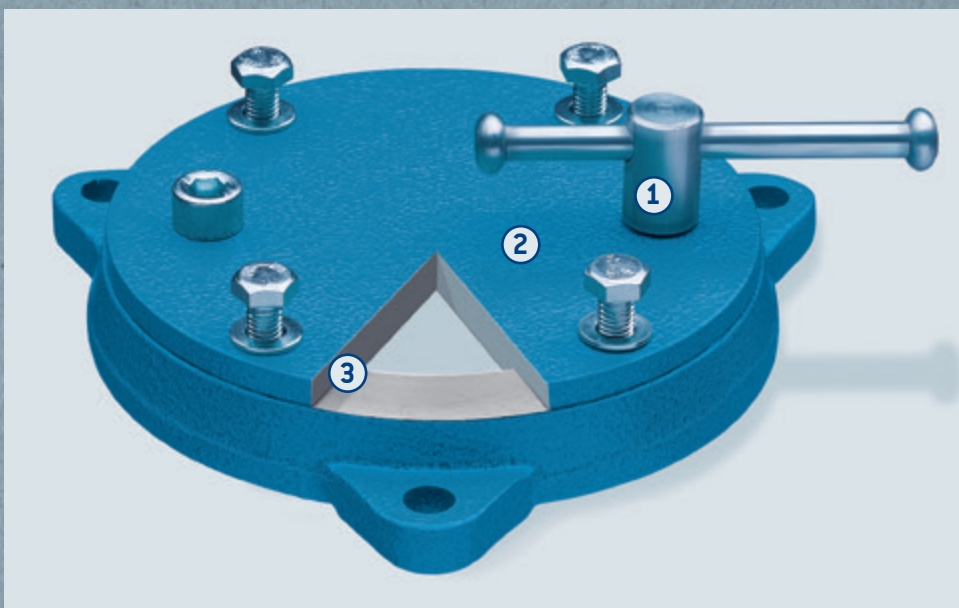
**Make working with the HEUER Vice even more flexible.**

Thanks to the HEUER Rotary-Table the vice can be rotated 360° on one level exactly in the position that you need for working on a given item. The robust setting with a small spindle key enables the rotary table – and therefore the vice – to be precisely and firmly set to the required position.

Their build determines the uniquely positive features. The HEUER Rotary-Table comes with a covered plate in order to prevent entry of dirt and shavings into the guide. The steel rotating unit and carrying plate fit exactly into one another and thus assure a precise

guide. The guide surfaces are of course conceived to provide as resistance-free an operation as possible.

The HEUER Rotary-Table is of an especially flat build to assure great stability. The HEUER Rotary-Table is designed for all vice sizes.



1. Can be set to any position quickly and firmly
2. Covered carrying plate prevents entry of shavings and dirt
3. The steel rotating unit and carrying plate designed for exact guidance

Width of jaw/mm*	Approx. Weight/kg	Item No.
100	1,8	103 100
120	2,5	103 120
140	5,0	103 140
160/180	7,5	103 160

\* Data refers to HEUER Vices.